

The logo for GL-tech is contained within a black, rounded, banner-like shape with a grey border. The text 'GL-tech' is written in a large, bold, white sans-serif font.

GL-tech

Tecnologia e Inovação

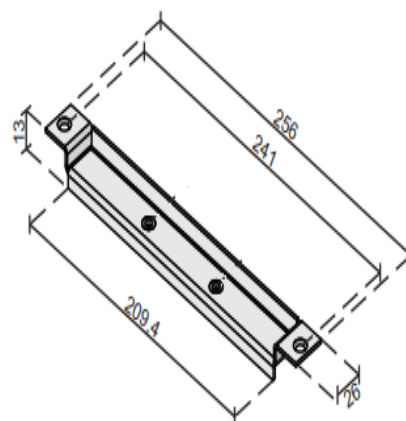
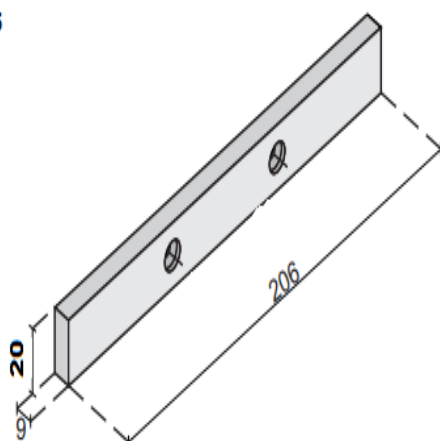
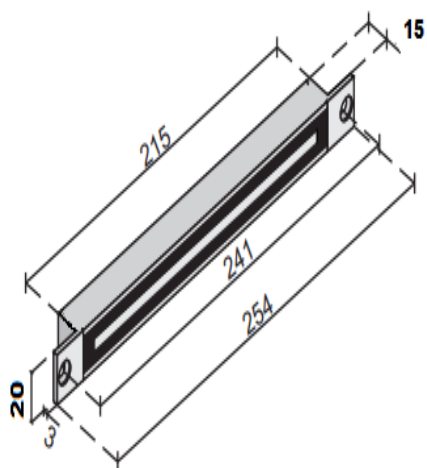
The background of the entire page is a dark grey-blue color with a complex, glowing circuit board pattern. The circuit lines are light blue and white, with several bright yellow and cyan points of light scattered throughout. In the center of the image, there is a glowing blue brain icon, suggesting a connection between technology and human cognition.

Eletroimã GL-100



Eletroímã GL-tech muito utilizado em áreas de controle de acesso tendo dimensões ideais para perfil de alumínio e aço para serem embutidos de acordo com a necessidade do cliente, este eletroímã suporta uma carga de até 100kg.





ELETROIMA GLS100

BLANCK

SUPORTE DO BLANCK

Modelo	GLS-100 12VC	GLS-100 24VC
Força de tração (kgf)	100KGF	100KGF
Tensão (VCC)	12V	12V
Corrente de Operação (mA)	300	150
Potência (W)	3,78	3,78
Peso sem suporte (kg)	0,635	0,635

The logo for GL-tech is centered on a black background. It features the text "GL-tech" in a large, bold, white sans-serif font. Below it, the tagline "Tecnologia e Inovação" is written in a smaller, bold, white sans-serif font. The entire text is enclosed within a thick, grey, hand-drawn style outline that has a wavy, organic shape.

GL-tech

Tecnologia e Inovação

contato@gltechinovacao.com.br