

The logo for GL-tech is contained within a black, rounded, banner-like shape with a grey border. The text 'GL-tech' is written in a large, bold, white sans-serif font.

GL-tech

Tecnologia e Inovação

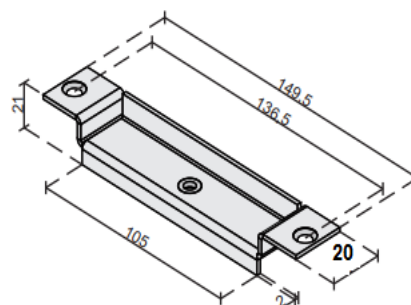
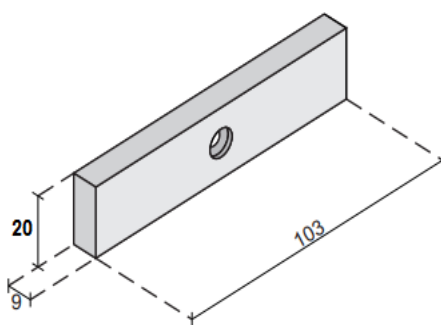
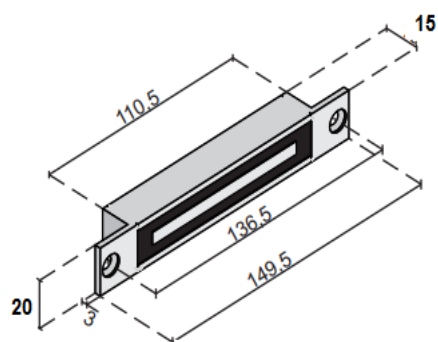
The background of the entire page is a complex digital illustration. It features a central glowing blue brain, surrounded by a network of blue lines and nodes, some of which are highlighted with yellow and green lights. The overall aesthetic is futuristic and technological, with a dark blue and black color palette.

Eletroimã GLS-50



Eletroímã GL-tech muito utilizado em áreas de controle de acesso tendo dimensões ideais para perfil de alumínio e aço para serem embutidos de acordo com a necessidade do cliente , este eletroímã suporta uma carga de até 50kg.





Modelo	GLS-50 12VDC	GLS-50 24VDC
Força de tração (kgf)	50	50
Tensão (VCC)	12V	24V
Corrente de Operação (mA)	160	80
Potência (W)	1,92	1,92
Peso sem suporte (kg)	0,450	0,450

The logo for GL-tech is centered on a black background. It features the text "GL-tech" in a large, bold, white sans-serif font. Below it, the tagline "Tecnologia e Inovação" is written in a smaller, bold, white sans-serif font. The entire text is enclosed within a thick, grey, hand-drawn style outline that has a wavy, organic shape, resembling a speech bubble or a stylized banner.

GL-tech

Tecnologia e Inovação

contato@gltechinovacao.com.br